

SKID STEER LOADER SERIES



CE  ISO9001

LOVOL HEAVY INDUSTRY GROUP CO.,LTD.

SKID STEER LOADERS

FSL35



- ◆ loading capacity is 500kg
- ◆ Engine power is 28.5kw
- ◆ Imported famous brand hydraulic components
- ◆ Bucket Capacity is 0.3m³
- ◆ Operating Weight is 2300kg
- ◆ Overall dimensions:3080×1400×2000mm

FSL45



- ◆ loading capacity is 700kg
- ◆ Engine power is 40kw
- ◆ Imported famous brand hydraulic components
- ◆ Bucket Capacity is 0.4m³
- ◆ Operating Weight is 3100kg
- ◆ Overall dimensions:3420×1740×2050mm

FSL45



- ◆ loading capacity is 700kg
- ◆ Engine power is 40kw
- ◆ Imported famous brand hydraulic components
- ◆ Bucket Capacity is 0.4m³
- ◆ Operating Weight is 3100kg
- ◆ Overall dimensions:3420×1740×2140mm

FSL60



- ◆ loading capacity is 850kg
- ◆ engine power is 45kw
- ◆ Imported famous brand hydraulic components
- ◆ Bucket Capacity is 0.5m³
- ◆ Operating Weight is 3240kg
- ◆ Overall dimensions:3490×1880×2160mm

FSL65



- ◆ loading capacity is 950kg
- ◆ engine power is 55kw
- ◆ Imported famous brand hydraulic components
- ◆ Bucket Capacity is 0.5m³
- ◆ Operating Weight is 3350kg
- ◆ Overall dimensions:3490×1880×2160mm

FSL75



- ◆ loading capacity is 1050kg
- ◆ engine power is 55kw
- ◆ Imported famous brand hydraulic components
- ◆ Bucket Capacity is 0.5m³
- ◆ Operating Weight is 3500kg
- ◆ Overall dimensions:3580×1880×2160mm

FSL95



- ◆ loading capacity is 1200kg
- ◆ engine power is 74kw
- ◆ Imported famous brand hydraulic components
- ◆ Bucket Capacity is 0.55m³
- ◆ Operating Weight is 3550kg
- ◆ Overall dimensions:3580×1880×2160mm

FSL120



- ◆ loading capacity is 1500kg
- ◆ engine power is 103kw
- ◆ Imported famous brand hydraulic components
- ◆ Bucket Capacity is 0.55m³
- ◆ Operating Weight is 3600kg
- ◆ Overall dimensions:3580×1880×2160mm

FSL50



- ◆ loading capacity is 700kg
- ◆ engine power is 40kw
- ◆ Imported famous brand hydraulic components
- ◆ Bucket Capacity is 0.3m³
- ◆ Operating Weight is 2800kg
- ◆ Overall dimensions:2950×1500×2050mm

FSL65



- ◆ loading capacity is 1000kg
- ◆ engine power is 55kw
- ◆ Imported famous brand hydraulic components
- ◆ Bucket Capacity is 0.5m³
- ◆ Operating Weight is 3800kg
- ◆ Overall dimensions3500×1830×2150mm

FSL100T



- ◆ loading capacity is 1200kg
- ◆ engine power is 74kw
- ◆ Imported famous brand hydraulic components
- ◆ Bucket Capacity is 0.55m³
- ◆ Operating Weight is 4500kg
- ◆ Overall dimensions:3700×2030×2160mm

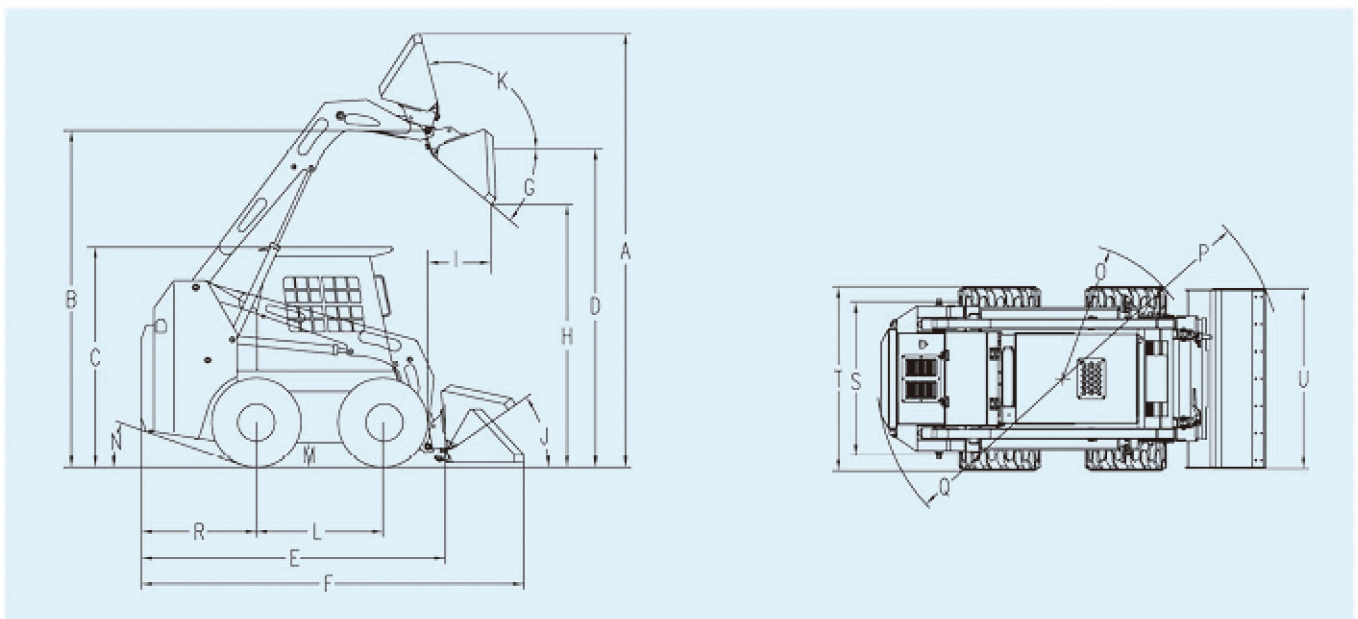
FSL125T



- ◆ loading capacity is 1500kg
- ◆ engine power is 103kw
- ◆ Imported famous brand hydraulic components
- ◆ Bucket Capacity is 0.6m³
- ◆ Operating Weight is 4800kg
- ◆ Overall dimensions:3700×2160×2160mm

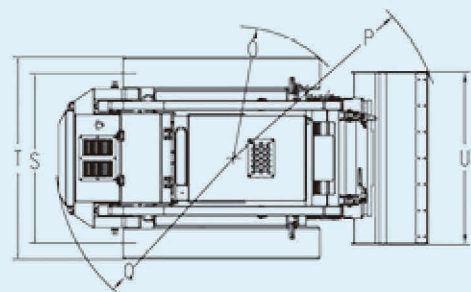
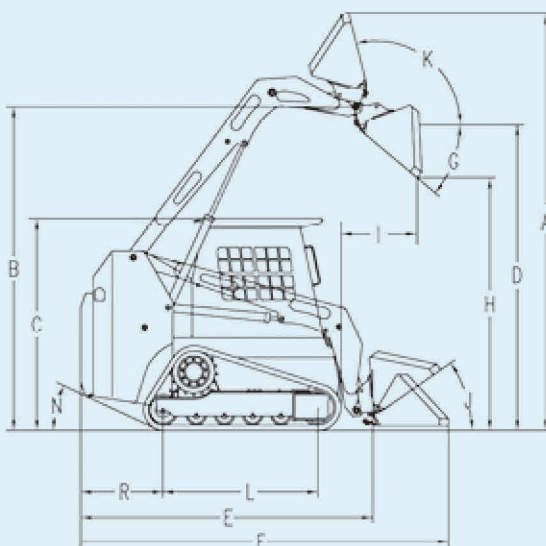
The main parameters

Model Item	FSL35	FSL45	FSL45	FSL60	FSL65	FSL75	FSL95	FSL120	FSL50	FSL65	FSL100T	FSL125T
Engine model	390	490	490	498	498T	498T	WP4.1 G100E311	WP4.1 G140E301	490	498T	WP4.1 G100E311	WP4.1 G140E301
Bore x stroke (mm)	90X100	95X105	95X105	98X105	98X105	98X105	105X118	105X118	95X105	98X105	105X118	105X118
Rated power (Kw)	28.5	40	40	45	55	55	74	103	40	55	74	103
Rpm	2600	2650	2650	2500	2450	2450	2200	2200	2650	2450	2200	2200
Number of cylinders	3	4	4	4	4	4	4	4	4	4	4	4
Max. torque (N.m)	123	156	156	193	245	245	395	560	156	245	395	560
Displacement (L)	1.9	2.67	2.67	3.168	3.168	3.168	4.1	4.1	2.67	3.168	4.1	4.1
Max.Speed (km/h)	10	12	12	12	12	12	12/18	12/18	10	12	12/18	12/18
Tire (track) model	8.5-15	10-16.5		12-16.5				300X52.5	320X84		450X86	
Loading Capacity (kg)	500	700	700	850	950	1050	1200	1500	700	1000	1200	1500
Lifting	Arc-Shaped Lifting											
Bucket capacity(m ³)	0.3	0.4	0.4	0.5	0.5	0.5	0.55	0.55	0.3	0.5	0.55	0.6
Rated flow(L/min)	60	75	75	75	75	80	80	80	60	75	80	80
High Flow(L/min)						120	140	140			140	140
tank capacity(L)	60	60	65	80	80	90	90	90	50	80	90	90
Weight with bucket(kg)	2300	3100	3100	3240	3350	3500	3550	3600	2800	3800	4500	4800



The main parameters

Item	Model												
		FSL35	FSL45	FSL45	FSL60	FSL65	FSL75	FSL95	FSL120	FSL50	FSL65	FSL100T	FSL125T
A	Height at Maximum Extension (mm)	3300	3670	3980	4000	4000	4070	4070	4070	3350	3480	4070	4070
B	Hinge Pin Height (mm)	2725	2900	3080	3100	3100	3150	3150	3150	2770	2900	3150	3150
C	Total Height (mm)	2000	2050	2140	2160	2160	2160	2160	2160	2050	2150	2160	2160
D	Height to bottom of bucket(mm)	2558	2763	2913	2933	2933	2983	2983	2983	2603	2730	2983	2983
E	Overall length without bucket (mm)	2300	2640	2640	2750	2750	2880	2880	2880	2300	2750	3000	3000
F	overall length with bucket(mm)	3080	3420	3420	3490	3490	3580	3580	3580	2950	3500	3700	3700
G	Dumping angle at maximum height(°)	40	40	40	40	40	40	40	40	40	40	40	40
H	Dumping height(mm)	2050	2230	2380	2400	2400	2450	2450	2450	2100	2230	2450	2450
I	Dumping reach(mm)	790	710	750	750	750	700	700	700	790	715	700	700
J	Rollback at ground position(°)	30	30	30	30	30	30	30	30	30	30	30	30
K	Rollback fully raised at max height(°)	104	104	104	104	104	104	104	104	104	104	104	104
L	Wheelbase(mm)	897	991	991	991	1085	1115	1185	1185	1240	1500	1500	1500
M	Ground clearance(mm)	140	185	185	205	205	205	205	205	140	200	200	200
N	Angle of departure(°)	20	20	20	20	20	20	20	20	20	20	20	20
O	Front turning radius without bucket(mm)	1098	1168	1168	1198	1204	1250	1278	1278	1064	1298	1365	1365
P	Front tuning radius(mm)	1760	1958	1958	1958	2030	2112	2144	2144	1825	2010	2200	2200
Q	Rear tuning radius(mm)	1296	1630	1630	1728	1706	1774	1857	1857	1264	1714	1742	1742
R	Rear length (mm)	964	1108	1108	1208	1082	1082	1082	1082	594	890	938	938
S	Track width(mm)	1080	1450	1450	1500	1500	1500	1500	1500	1102	1462	1654	1654
T	Width (mm)	1350	1720	1720	1880	1880	1880	1880	1880	1402	1782	1994	2124
U	Bucket width (mm)	1400	1740	1740	1880	1880	1880	1880	1880	1500	1830	2030	2160

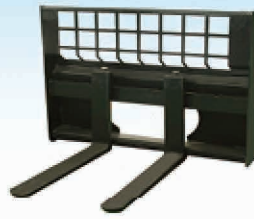


SKID LOADER ATTACHMENTS

4 in 1 bucket



Pallet fork



Dozer blade



Snow blade



Grapple bucket



Fork grapple



Backhoe



Backhoe arm



Sweeper



Angle Broom



Breaker



Planer



Trencher



Auger



Vibratory roller



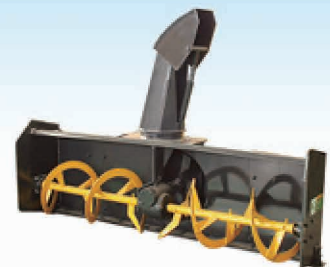
Disk type trencher



Mixer



Snow Blower



Grass cutter



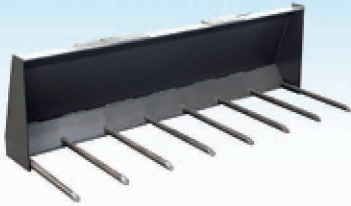
Rock bucket



Bale handler



Utility fork



Tree spade



Scraper



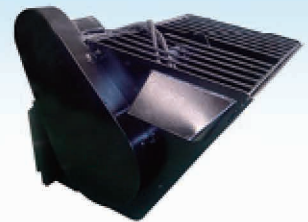
Drum Scraper



Rock grapple bucket



Bucket mixer



Multi-direction grass cutter



Roto tiller



Tire chain



Hedge trimmer



standard bucket



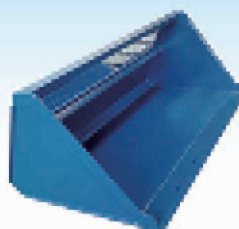
Soft clamp



Road Cutting Saw



Snow Bucket



Snow V-Blade



Wood Chipper



Soil Conditioner



Stump Bucket



Landscape Rake



Dozer Blade



Snow Pusher



Digger



Stump Grinder



Heavy Grass Fork Grapple



Forest Mulcher



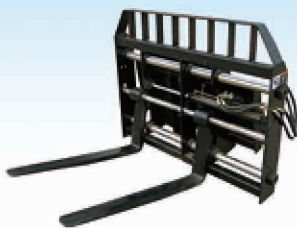
Land Plane



Tree Puller



Side Shift Pallet Fork



Grader



Tilt-Tatch



Crane



Brush Cutter



Guardrail Cleaner





中国 TAMEC 欧洲 Europe 北美 North America 南美 South America 非洲 Africa 大洋洲 Oceania

中国 TAMEC 欧洲 Europe 北美 North America 南美 South America 非洲 Africa 大洋洲 Oceania

中国 TAMEC 欧洲 Europe 北美 North America 南美 South America 非洲 Africa 大洋洲 Oceania

中国 TAMEC 欧洲 Europe 北美 North America 南美 South America 非洲 Africa 大洋洲 Oceania

中国 TAMEC 欧洲 Europe 北美 North America 南美 South America 非洲 Africa 大洋洲 Oceania

中国 TAMEC 欧洲 Europe 北美 North America 南美 South America 非洲 Africa 大洋洲 Oceania

中国 TAMEC 欧洲 Europe 北美 North America 南美 South America 非洲 Africa 大洋洲 Oceania

中国 TAMEC 欧洲 Europe 北美 North America 南美 South America 非洲 Africa 大洋洲 Oceania

中国 TAMEC 欧洲 Europe 北美 North America 南美 South America 非洲 Africa 大洋洲 Oceania

中国 TAMEC 欧洲 Europe 北美 North America 南美 South America 非洲 Africa 大洋洲 Oceania

中国 TAMEC 欧洲 Europe 北美 North America 南美 South America 非洲 Africa 大洋洲 Oceania

中国 TAMEC 欧洲 Europe 北美 North America 南美 South America 非洲 Africa 大洋洲 Oceania

中国 TAMEC 欧洲 Europe 北美 North America 南美 South America 非洲 Africa 大洋洲 Oceania

中国 TAMEC 欧洲 Europe 北美 North America 南美 South America 非洲 Africa 大洋洲 Oceania

中国 TAMEC 欧洲 Europe 北美 North America 南美 South America 非洲 Africa 大洋洲 Oceania